

STANDARD PRESSURE TRANSMITTER

MODEL: PTF106

- EXCELLENT ALTERNATING LOAD RESISTANCE
- LONG SERVICE LIFE AND GREAT STABILITY
- 316L ST. STEEL HOUSING & PROCESS CONNECTION
- PRESSURE PEAK DAMPING ELEMENT
- TEMPERATURE COMPENSATION
- ABSOLUTE OR GAUGE PRESSURE
- RANGES UP TO 40 MPa (5800 PSI)
- ELECTROMAGNETIC (EMC) PROTECTION



ACCURACY
better than
0.3%

INTRODUCTION

The PTF106 Series Pressure Transmitters are very accurate and reliable instruments, which convert pressure inputs to current or voltage signals. These transmitters are equipped with a damping element to direct away pressure peaks or liquid hammering from their sensors; hence showing a high level of resistance to mechanical shocks. The typical response time of the PTF106 transmitter is 1 ms, and will never exceed 5 ms, even when the damping element is functioning and the fluid viscosity is at its peak.

The industrial PTF106 meets the electromagnetic compatibility (EMC) requirements of IEC61000-6-2 and IEC61000-6-3.

Output	Load Resistant	U _{supply}
4 - 20 mA	(U _{supply} - 10V)/20mA	10 - 34 VDC
0 - 5 VDC	≥1.0 kΩ	10 - 30 VDC
0 - 10 VDC	≥2.0 kΩ	15 - 30 VDC
1 - 6 VDC	≥1.0 kΩ	12 - 30 VDC
0 - 20 mA	≥0.5 kΩ	24 VDC ± 20%

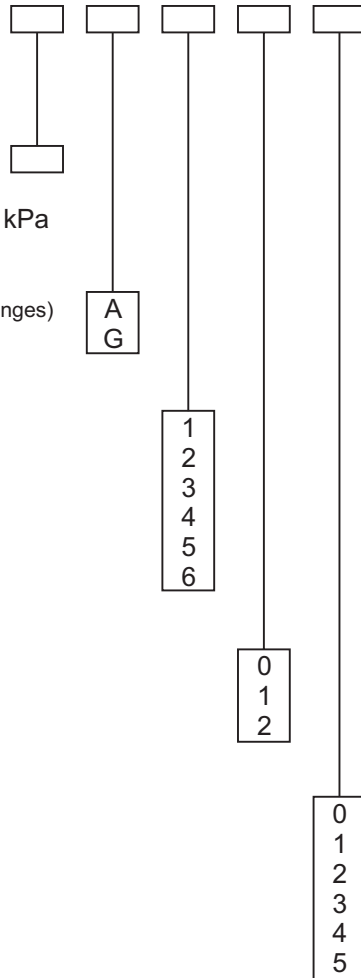
Code	Range	Over Range	Burst Pressure
01	0...1 bar	5 bar	30 bar
02	0...1.6	5	50
03	0...2.5	5	100
04	0...4	8	100
05	0...6	12	100
06	0...10	20	200
07	0...16	32	200
08	0...25	50	300
09	0...40	80	300
10	0...60	120	500
11	0...100	200	500
13	0...250	500	1000
14	0...400	800	1500
21	0...15 psi	30 psi	1000 psi
22	0...30	60	2500
23	0...60	120	2500
24	0...100	200	2500
25	0...150	300	4500
26	0...200	400	4500
27	0...300	600	4500
28	0...400	800	4500
29	0...500	1000	4500
30	0...600	1200	4500
31	0...750	1500	4500
32	0...1000	2000	7500
33	0...1500	3000	7500
34	0...2000	4000	7500
35	0...3000	6000	7500
36	0...5000	10000	15000

Please use XX code for vacuum, compound and special ranges.
Ex.: -1...4 bar, 0...5 bar, 0...12 bar, -10...30 psi, 0...120 psi, etc.

PRESSURE TRANSDUCERS

ORDER CODES

Model PTF106 -



RANGE

Select a range from the table (01 to 36)

for special ranges use XX. Ex: -100...+400 kPa

PRESSURE

Absolute (not applicable for vacuum & compound ranges)
Gauge

PROCESS CONNECTION

1/4" NPT male
1/4" NPT female
G 1/4 male
G 1/4 female
7/16"-20UNF male
7/16"-20UNF female

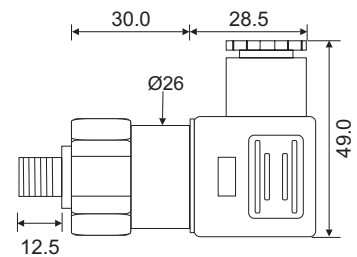
ELECTRICAL CONNECTION

DIN43650-A
M12x1 5-pol
1.5m, PVC Cable

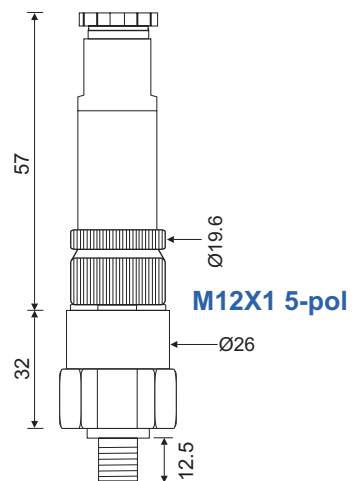
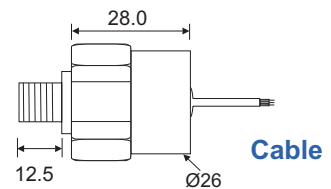
OUTPUT SIGNAL

4 - 20 mA
0 - 5 VDC
0 - 10 VDC (DC supply)
1 - 6 VDC
0.5 - 4.5 VDC
0 - 10 VDC (AC supply)

DIMENSIONS (mm)



DIN43650-a



we reserve the right to change the specifications without prior notice.

