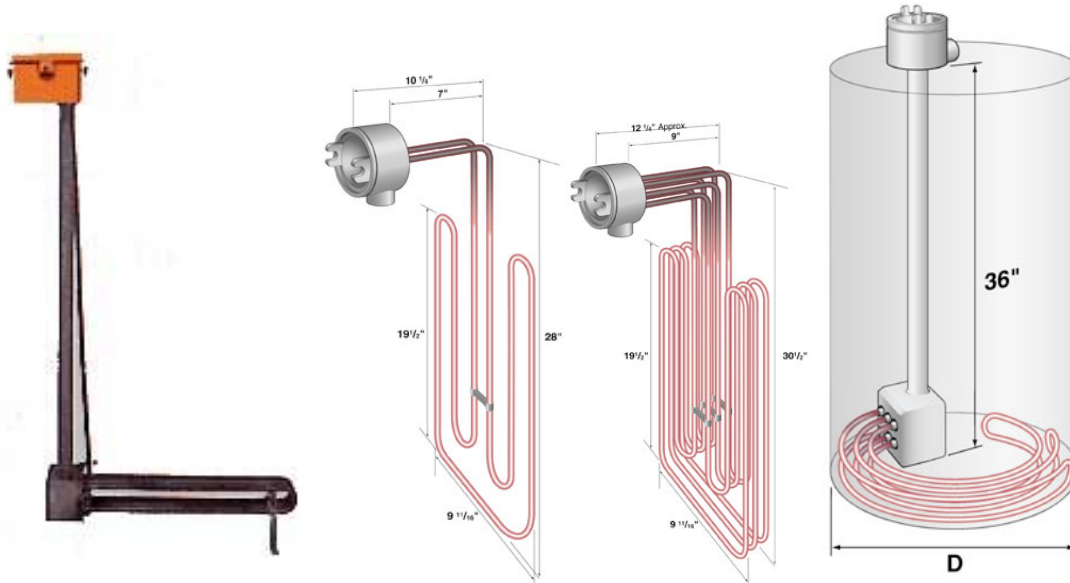


HCS Heaters Controls & Sensors Ltd



Features:

Portable and easily removable

Lightweight in construction

Variety of shapes available "Z" "O" "L" inverted "T" "M"

Immersed along the side or the bottom of tank

Self contained with built in thermostat or temperature sensors

NEMA 4/4X enclosures for moisture protection

Sheath materials for corrosive liquids, acids, caustic etc.

Over-the Side Immersion Heater elements are designed for installation from the top of tanks where through-the-wall heaters cannot be installed. These Heaters are available in many configurations, with partially unheated sections, thermostats, wash down or corrosion resistant enclosures. Available with various sheath materials like 316 SS, Titanium, Copper, Steel, Incolloy, Teflon Coated or Quartz for acids. Can be made in various shapes and sizes and are normally designed for particular applications, however certain sizes are also available from stock.

Specifications Design Capabilities:

Voltages. 120, 208, 240, 377, 480, 575, 600 volts

Phase. Single and three phase

Enclosures. NEMA 12, NEMA 4, NEMA 4X, NEMA 7,

Wattage's. 1 to 150 Kilowatts

Watt Densities. 7 to 60 watts/inch

Passivation. Provided for critical applications

Sludge Legs. Available 4" normal height

Sensors. Thermostats, RTD's, Thermocouples

Hi Limit. Thermocouple, Bulb & capillary

Multiple circuits. Possible with certain designs

Materials. Copper, Incoloy, 304/316 Stainless,

Titanium Teflon Coated, Steel

13 - 60 MEG Dr

London, ON N6E 3T6

www.hcs77.com email : hcs@hcs77.com

Tel # (519) 686 2715 Fax # (519) 686 815